

AQUA CONTROL INC. CONTROL PANEL

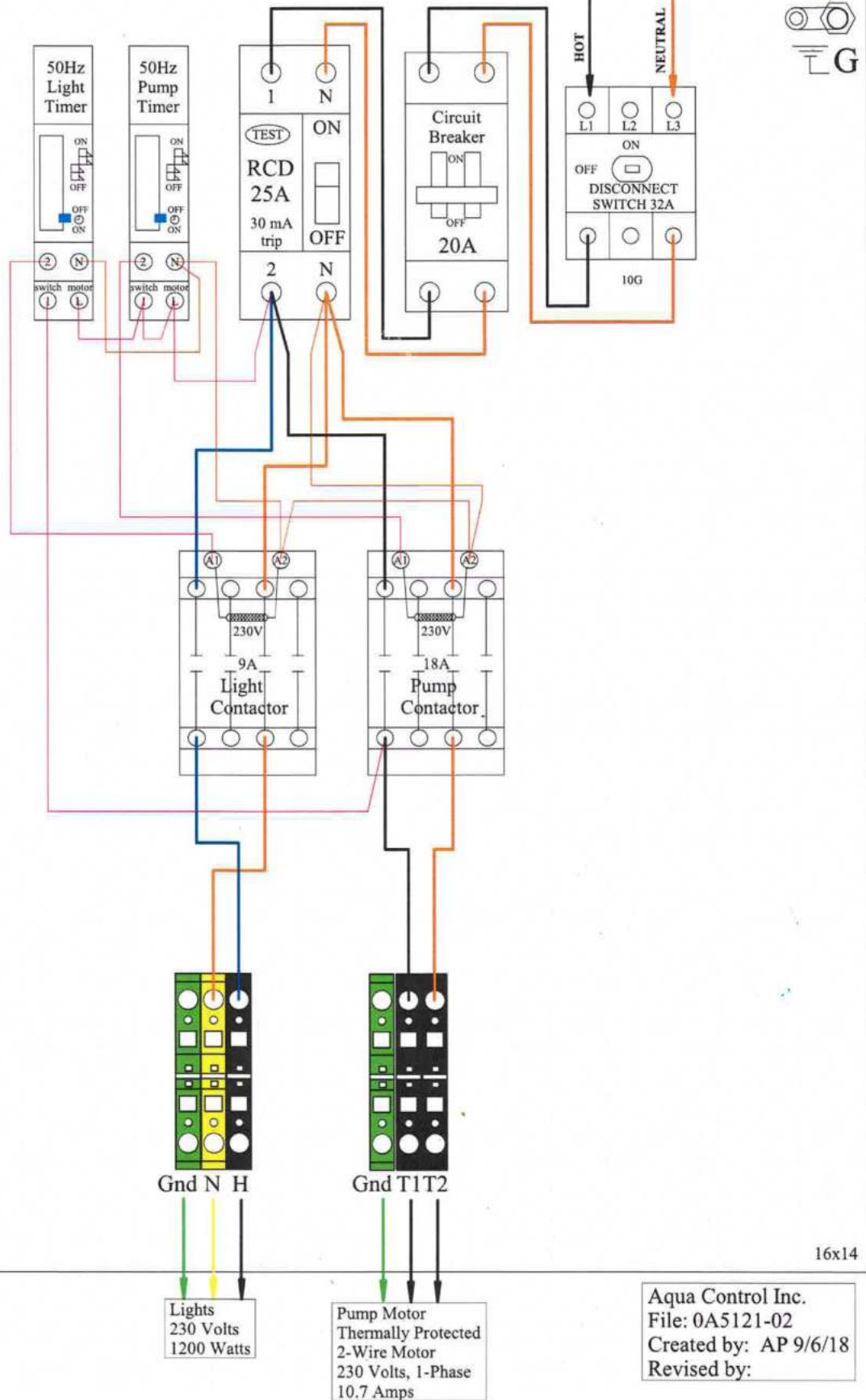
2 HP, 230V, 10.7A, 50 Hz, 1-phase
Thermally Protected 2-Wire Motor
Lights: 230V, 1200W max

DOOR LABEL

HP 2 Volts 230 Ph 1 Hz 50
Total FLA 15.9 Motor FLA 10.7
Drawing# 0A5121-02

**INCOMING
230V**

Incoming
Ground



16x14

Aqua Control Inc.
File: 0A5121-02
Created by: AP 9/6/18
Revised by:

Lights
230 Volts
1200 Watts

Pump Motor
Thermally Protected
2-Wire Motor
230 Volts, 1-Phase
10.7 Amps