

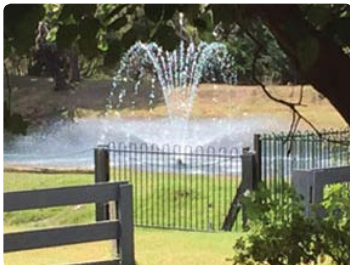


Aquatic Technologies are proud to present our

2HP Select Series II Aeration Display Australian Fountain Range

Super Lily

Style: Low-Wide



Spray Height: 3m x Spray Width: 10.7m Diameter

The Super Lily is a 2 tier pattern with a beautiful, wide, low fan pattern. It has 12 high, smaller diameter arching streams. The Super Lily lights well at night and the fan is quite wind resistant.

Performance	Power	
Height (m)	3	Single Phase
Diameter (m)	10.7	240V
Output (M ³ /H)	80	

The 2HP Select Series II Fountains have the lowest power consumption in their class...

The 2HP Aqua Control Select Series II Display Aerator Fountains offer the highest spray patterns of their type in the industry, with the lowest power consumption in it's class.

These long lasting, quality USA made display aerator fountains are composed of high strength composite materials which brilliantly combine beauty and functionality with increased efficiency.

These high performance aerators have been re-engineered to minimize stress on the motor, providing increased performance, robust reliability, maximum display output, all obtained with lower power consumption.

The Aqua Control Select Series II Display Aerator Fountains combine high performance spray patterns for a spectacular visual display, while functionally aerating the water body with the highest levels of efficiency.

The 2HP Aqua Control Select Series II Display Aerator Fountains have a wide range of spray patterns designed to fit various sized and shape water bodies. Whether you have a deep or shallow water body, there is a motor configuration that will suit your needs.

The 2HP Aqua Control Select Series II Display Aerator Fountains are Australian electrically compliant (Compliance certificate No: SGS/130231) for your safety.

These highly efficient units are available in Plug 'n' Play kits for simple DIY installation, plugging directly into a standard 240volt, 10amp power point (GPO). Kits come with a standard control panel and fountain motor and water proof power cord in lengths of 35m, 55m or 75m.

Efficient LED night lights easily attach so that you can enjoy your fountain 24 hrs a day.



www.fountainsaustralia.com.au

41 Yazaki Way, Carrum Downs Vic, AUSTRALIA, 3201

P: 0409 180 707





Aqua Control

WATER FEATURES

2HP SELECT SERIES II

DISPLAY AERATION FOUNTAINS

EXCLUSIVE AUSTRALIAN IMPORTER:  AQUATIC TECHNOLOGIES www.fountainsaustralia.com.au

Similar 2HP Select Series II Fountains

Super Jimmy

Style: Narrow-Fill



Tornado

Style: High-Volume



Trillium

Style: Wide-Fill



Daffodil

Style: High-Wide



Double Arch

Style: Tiers-Wide



Spider & Arch

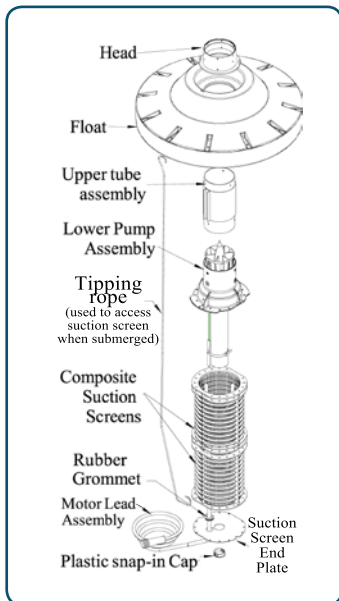
Style: High-Wide



More details on our website www.FountainsAustralia.com.au

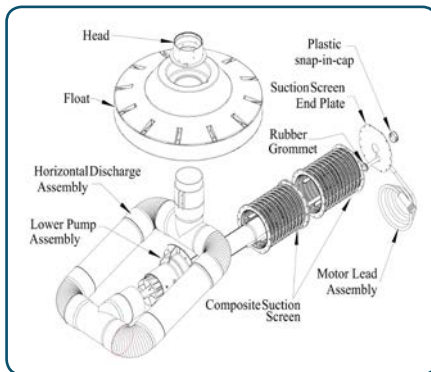
Vertical Assembly

Minimum Vertical Operating Depth: 1.1m



Horizontal Assembly

Minimum Horizontal Operating Depth: 0.7 metres



Heavy Duty Underwater Power Cable

Standard 35m, 55m or 75m or custom size heavy duty underwater power cable ready to plug 'n' play.



LED Fountain Lighting DIY Kit

Optional



Kit includes LED fixtures with your choice of colour:

- Cool White (Standard)
- Warm White
- Red
- Green
- Blue
- Amber

Online instructions for easy DIY.



www.fountainsaustralia.com.au

41 Yazaki Way, Carrum Downs Vic, AUSTRALIA, 3201

P: 0409 180 707

